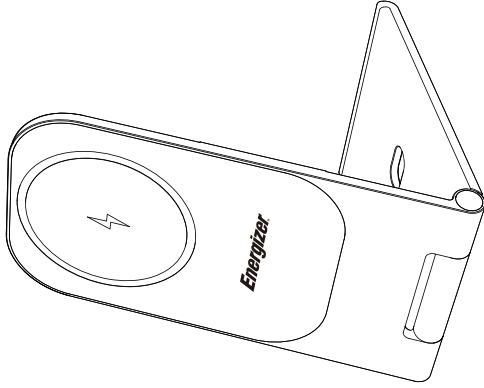


# Energizer® WCP102



**EN**

## Specification:

Model Name : WCP102

Rated Input : USB-C 5V/2A,9V/2A, 12V/2A

Output : 15W/10W/7.5W/5W

Dimensions : 128mm\*70mm\*8.5mm

Weight : 112g±10g

**FR**

## Spécifications:

Modèle : WCP102

Entrée : USB-C 5V/2A,9V/2A, 12V/2A

Sortie : 15W/10W/7.5W/5W

Dimensions : 128mm\*70mm\*8.5mm

Poids : 112g±10g

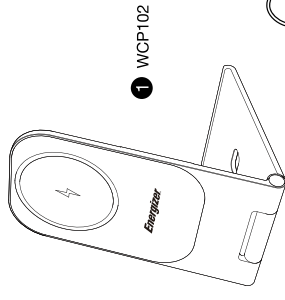
## Package Content

Wireless Charging Stand

USB-C Cable

User Manual

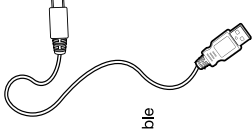
## Package Contents



1 WCP102



2 User Manual



3 Charging Cable



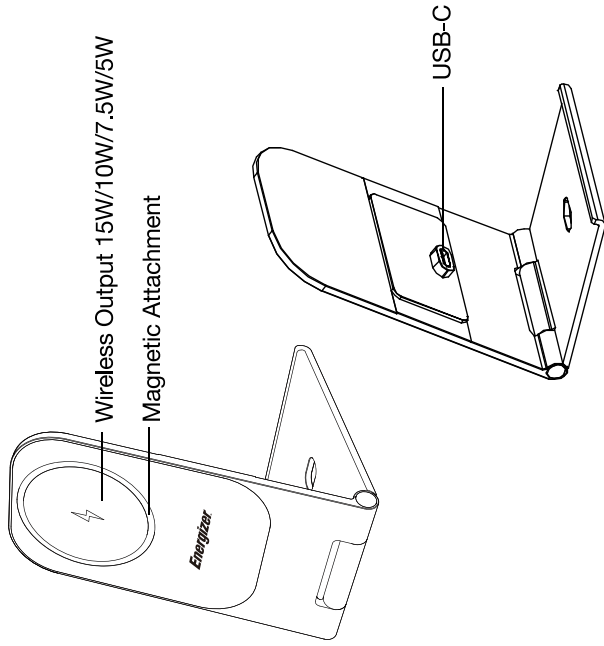
### PowerSafe Management

Guarantees against short circuit and over-charging for your power bank and devices.



**Customer Service**  
For any question about the product,  
please contact us at  
[service@energizerpowerbanks.com](mailto:service@energizerpowerbanks.com)

©2023 Energizer, Energizer, Energizer Character and certain graphic designs are trademarks of Energizer Brands, LLC and related subsidiaries and are used under license by TernRiich International Corp..



## How to USE

Connect the charging stand with a USB-C charging cable and power adapter, then connect the adapter to a power outlet. Place the back of your device to the charging area horizontally or vertically, it will magnetically attach to your device and begin charging.

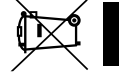
\* Please use compatible device, cable, and adapter up to 15W for fast charge.

## Safety Instructions

- Avoid water, heat, fire, penetration of the product, and severe drops at all times.
- Do not insert other object to the USB ports other than the USB connectors.
- During charging, your device and the product may feel slightly warm, this is normal.
- Do not clean the product with water or other cleaning products, clean the exterior with a lightly wetted cloth or napkin.
- Any intentional and physical damage to the product will not be under the warranty conditions.
- Do not place any metal or flammable object on top of this product.
- This product is not suitable for extreme climates, please store and use this product properly.

## WARRANTY

All products from the date of purchase are qualified for limited time warranty. For more warranty information, please visit: <http://www.energizerpowerbanks.com>



Dispose the battery properly, seek for local disposal facility for advice. Do not dispose, disassemble, damage, or incinerate the battery at all time.

## How to Pick the Right Case

Please use compatible magnetic case for optimal results.

iPhone 11/X/8/SE series can charge wirelessly with a magnetic case that's compatible with the charging stand.

